

PARTS

(1) Hardware

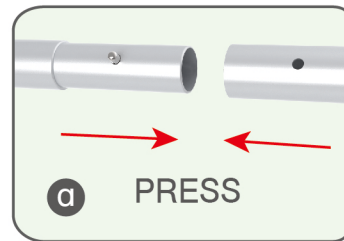
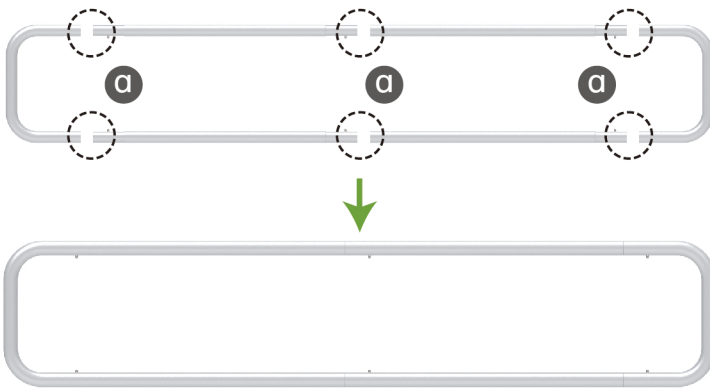


(2) Graphic printing fabric banner



STEP 01

To connect the poles according to the labellings

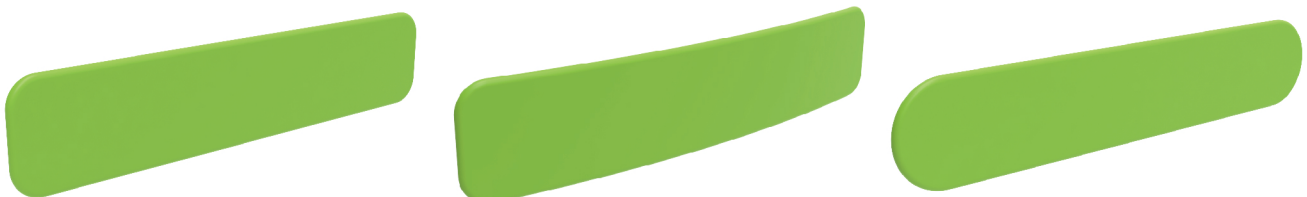


STEP 02

To wrap up the fabric banner from side to side and zip up

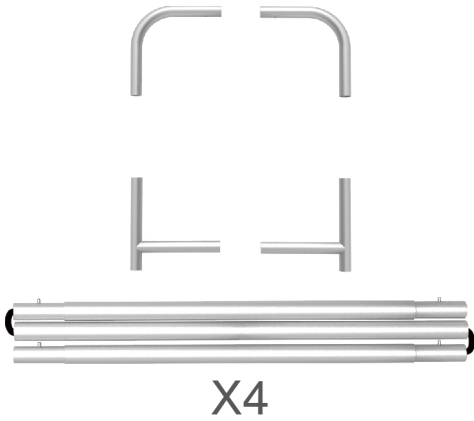


Same steps for below style of headers

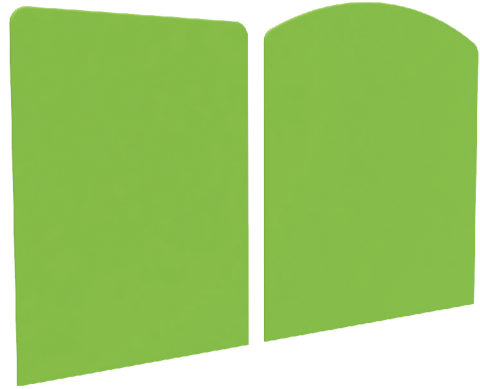


PARTS

(1) Hardware

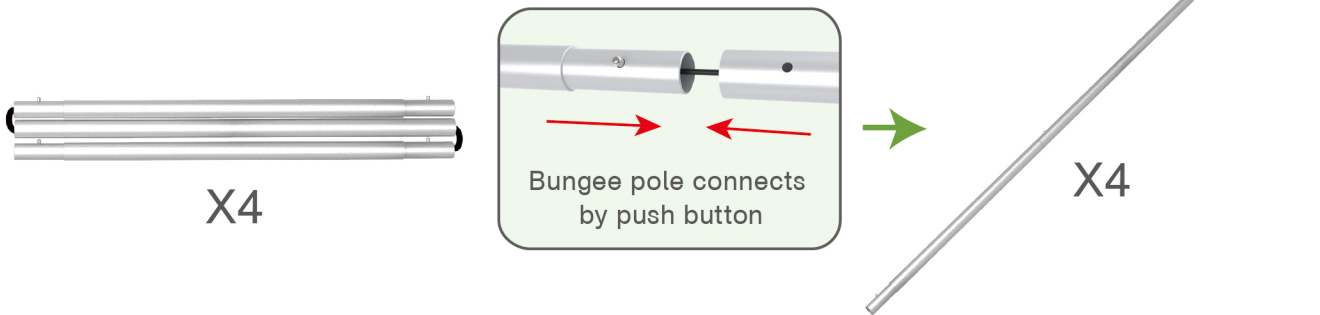


(2) Graphic printing fabric banner



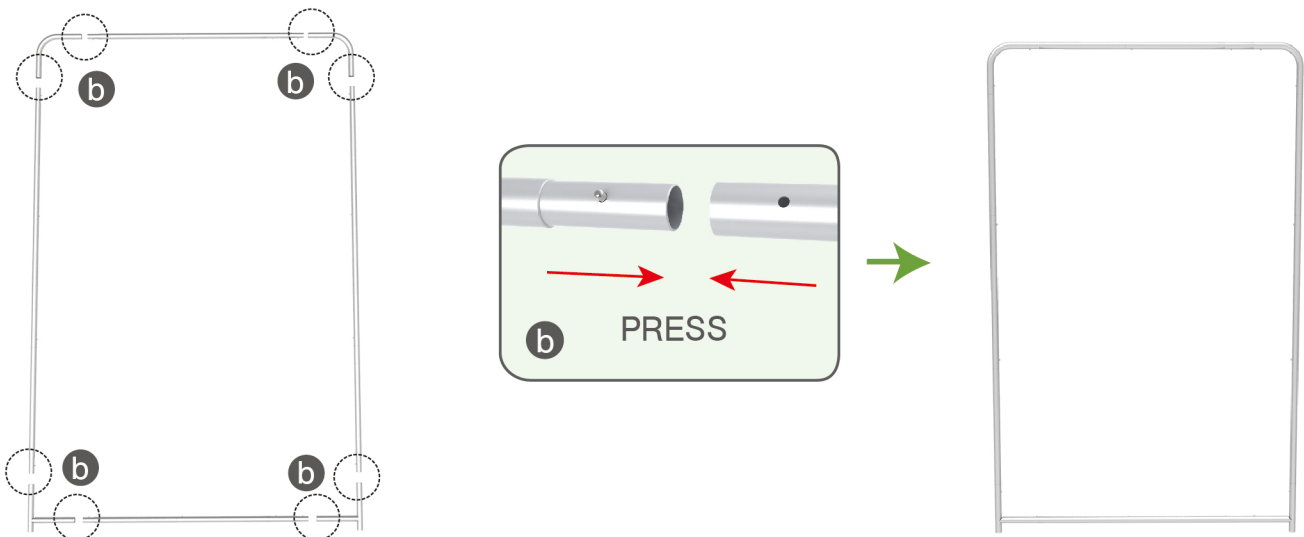
STEP 01

To connect the poles according to the labellings



STEP 02

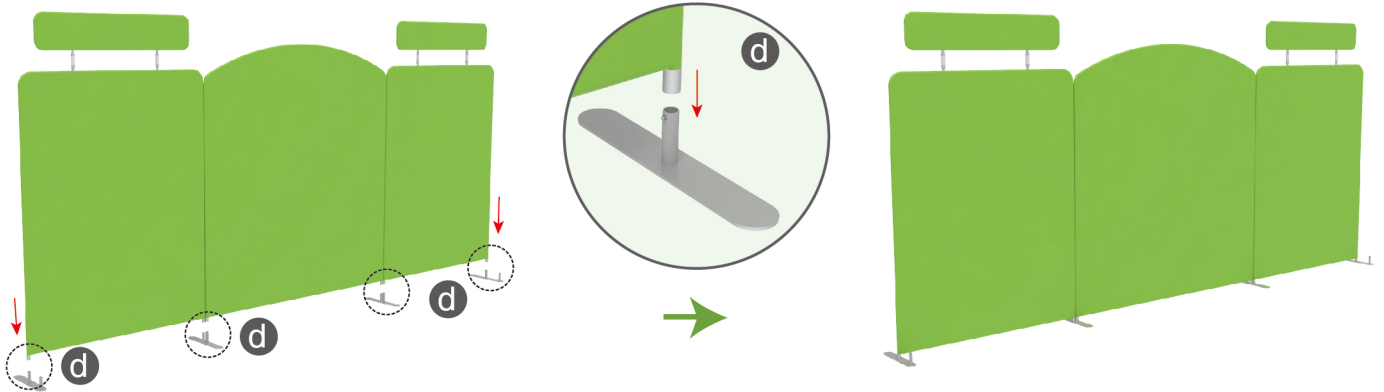
To connect the long poles by corner pieces



PARTS

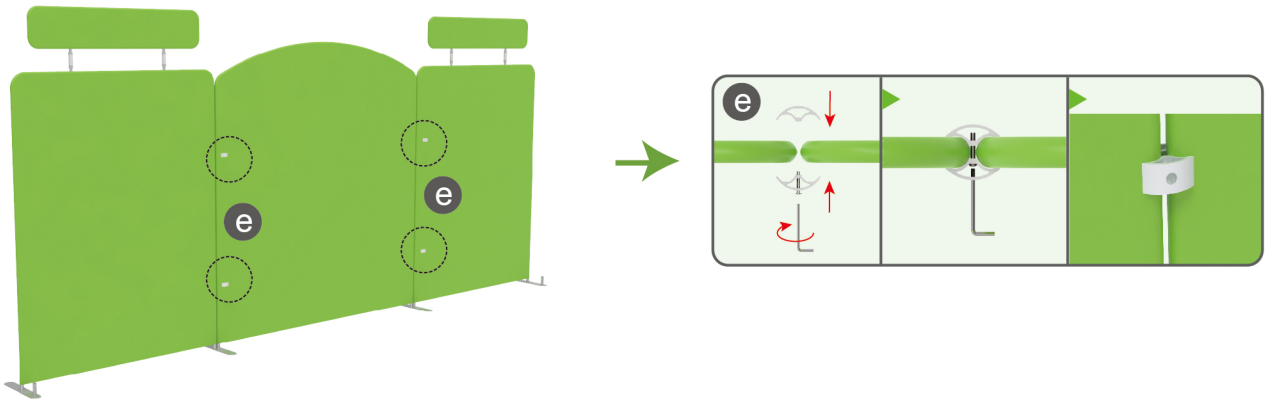
STEP 02

To assemble the stand feet in position



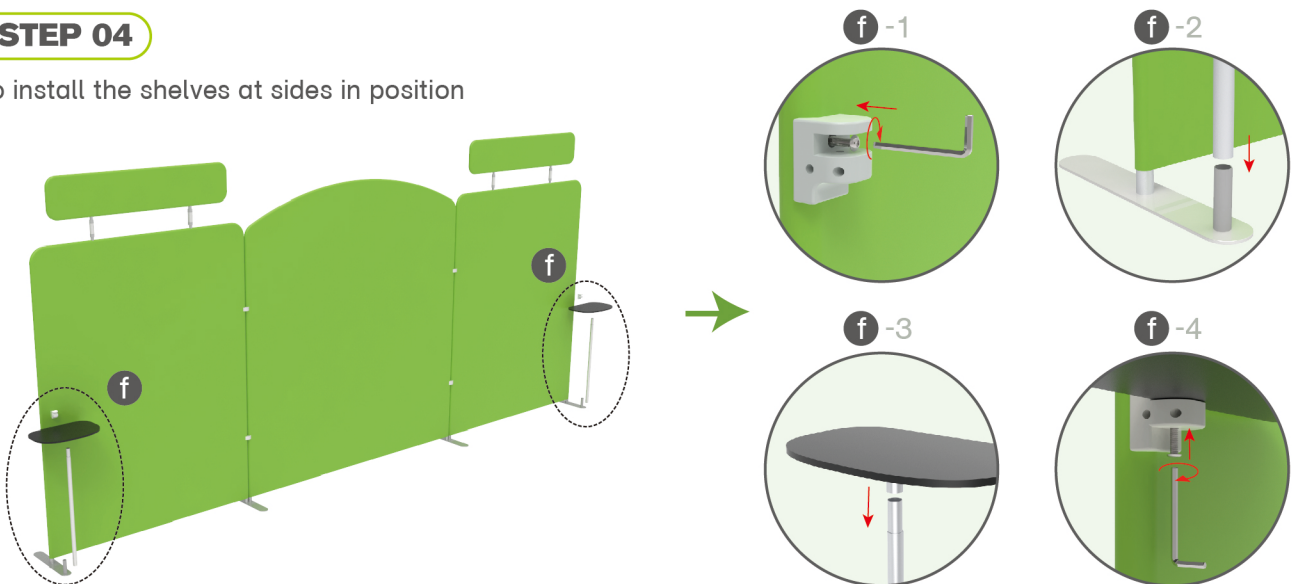
STEP 03

To put the C clips in between display wall and fasten for standing perfectly



STEP 04

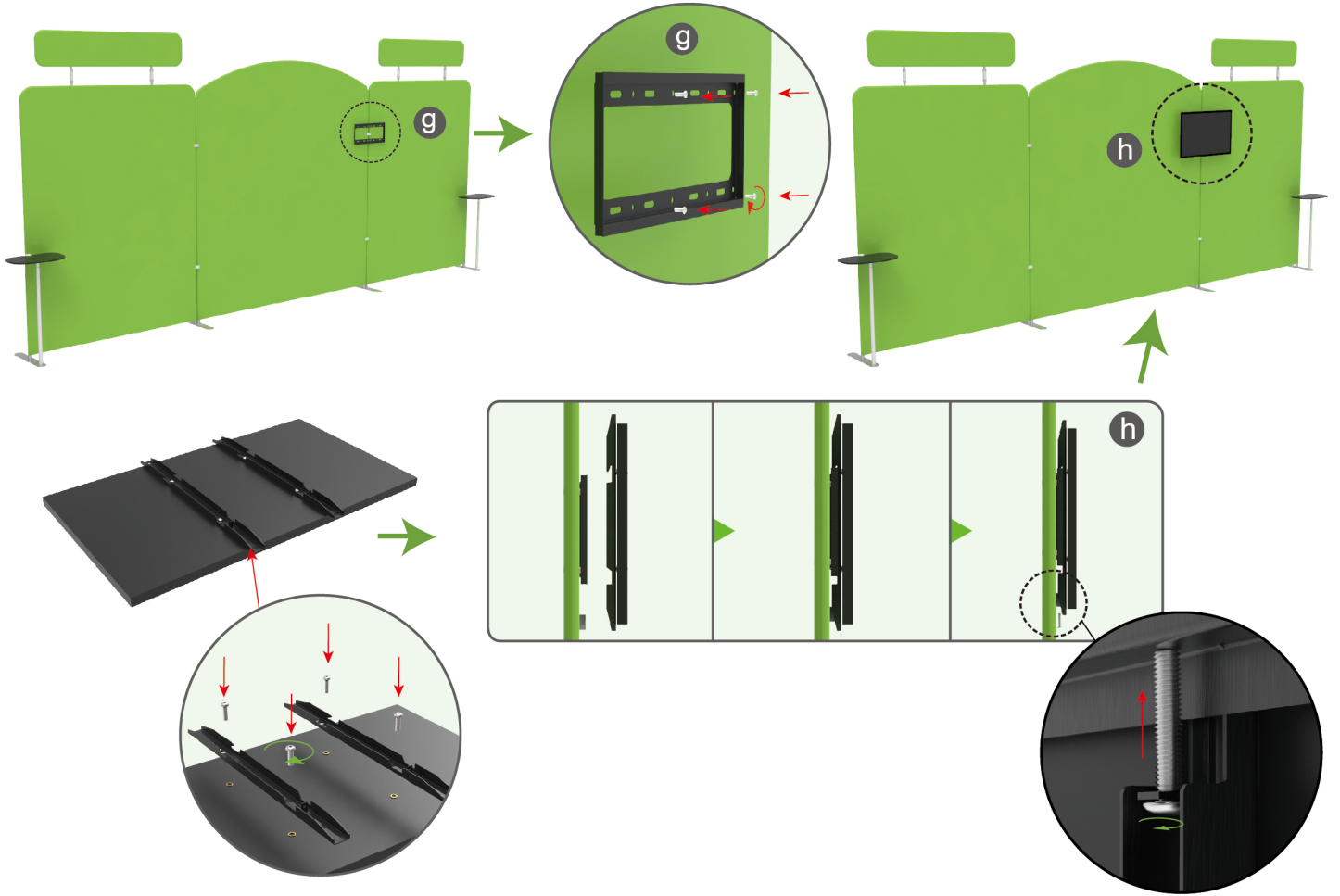
To install the shelves at sides in position



PARTS

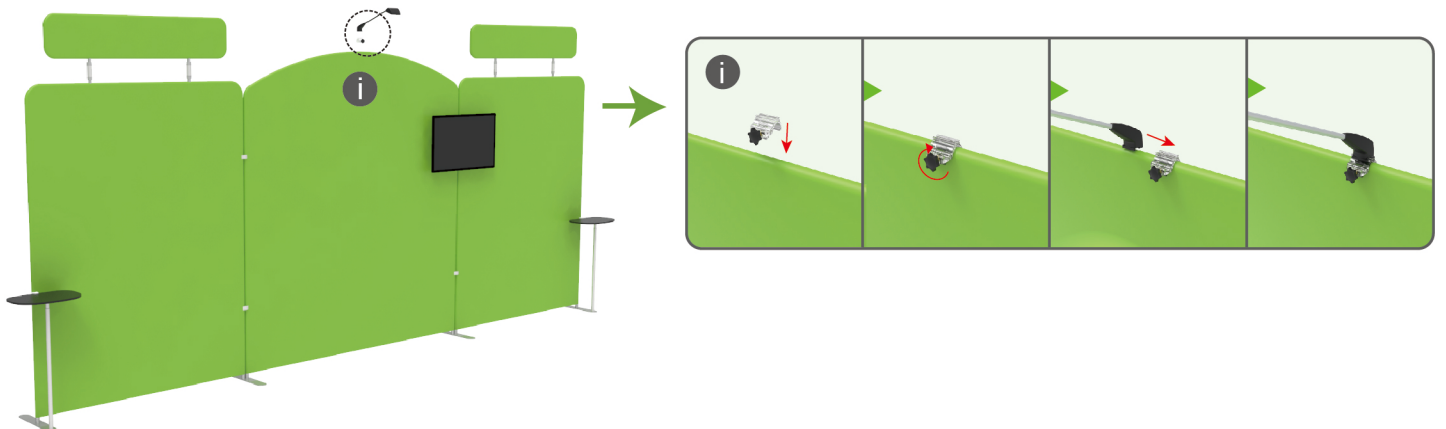
STEP 05

To install the TV mount in position



STEP 06

Install LED light



PARTS

SAME STEPS FOR 10X20ft-Booth-08



10X20FT-BOOTH-06



10X20FT-BOOTH-08