

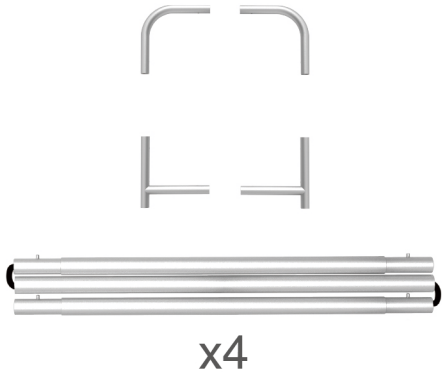
# INSTRUCTION



**10X10FT-BOOTH-I**

## STEPS

(1) Hardware

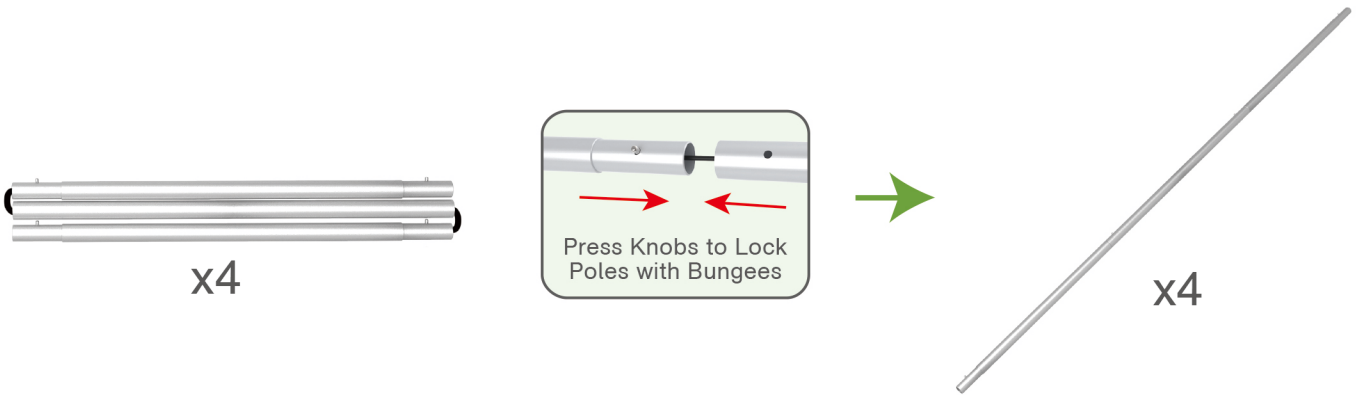


(2) Printed Graphic Fabric Banner (Optional)



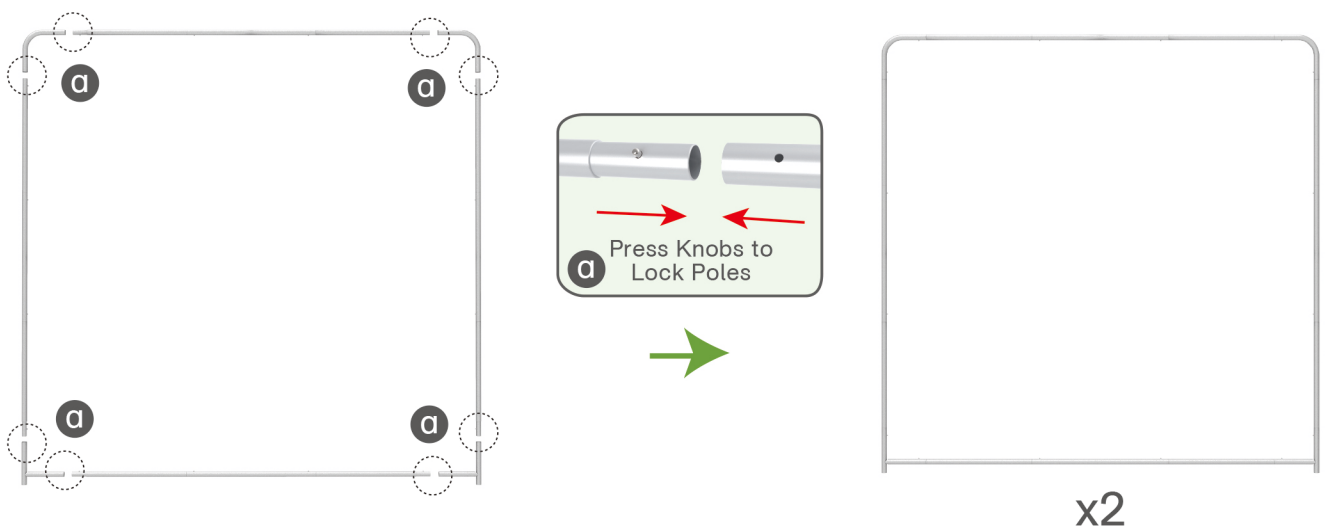
### STEP 01

Connect to make long poles according to labelings.



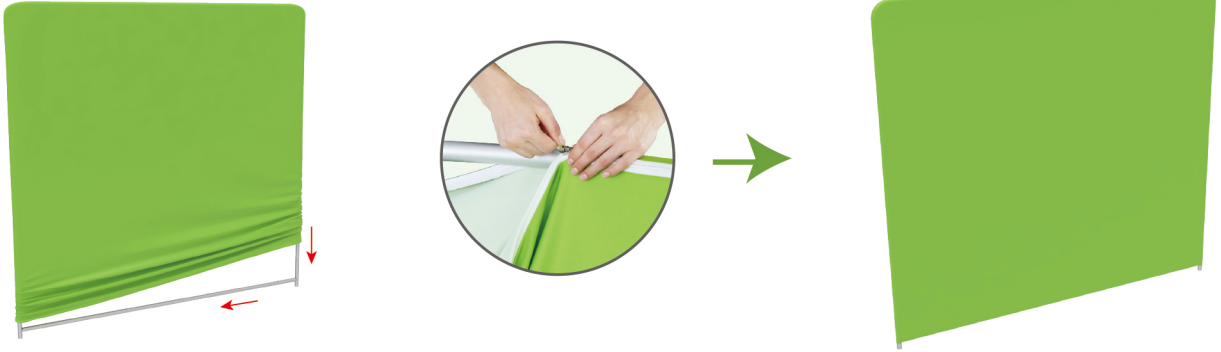
### STEP 02

Connect long poles with corner poles according to labelings.

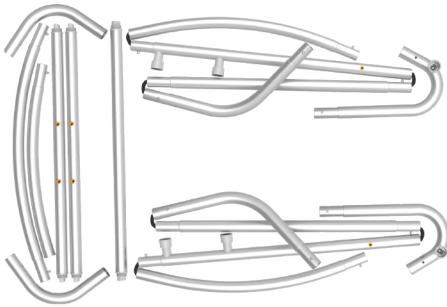


## STEPS

**STEP 03** Slide fabric banner on frame from top and zip up at bottom.



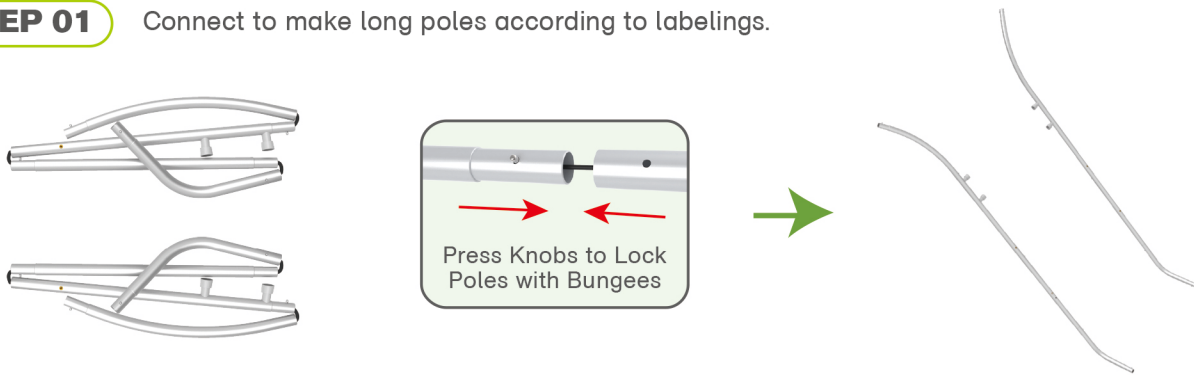
(1) Hardware



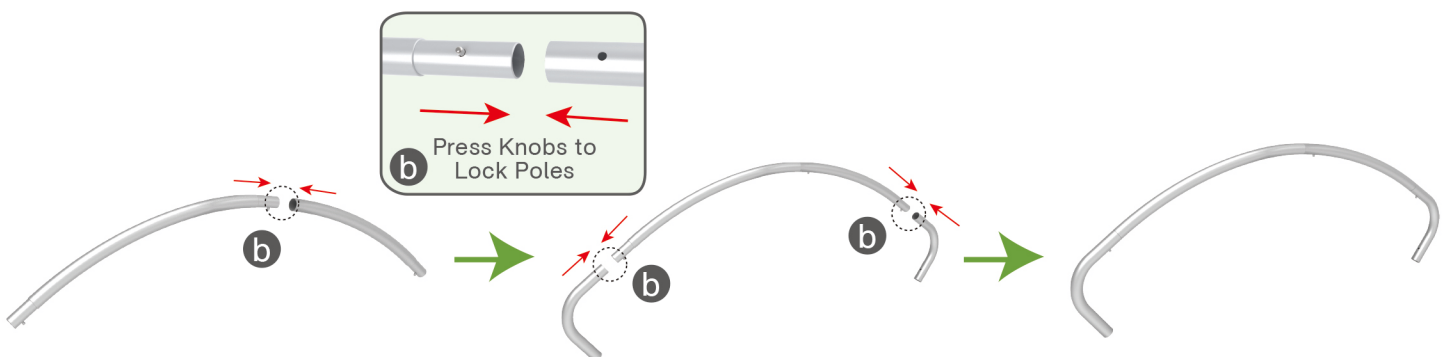
(2) Printed Graphic Fabric Banner (Optional)



**STEP 01** Connect to make long poles according to labelings.

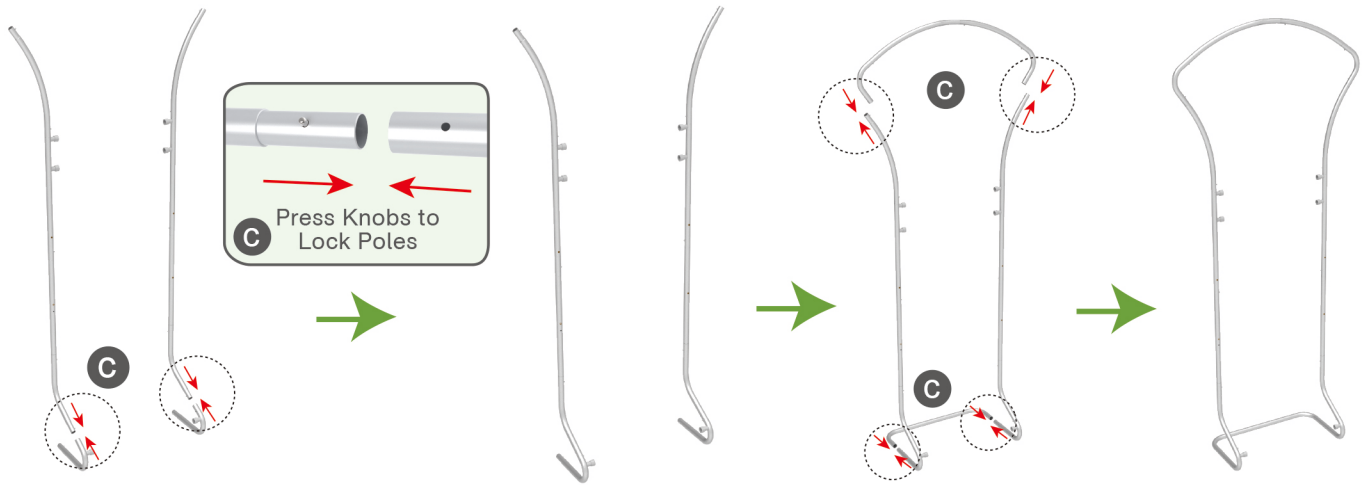


**STEP 02** Connect long poles with corner poles according to labelings.

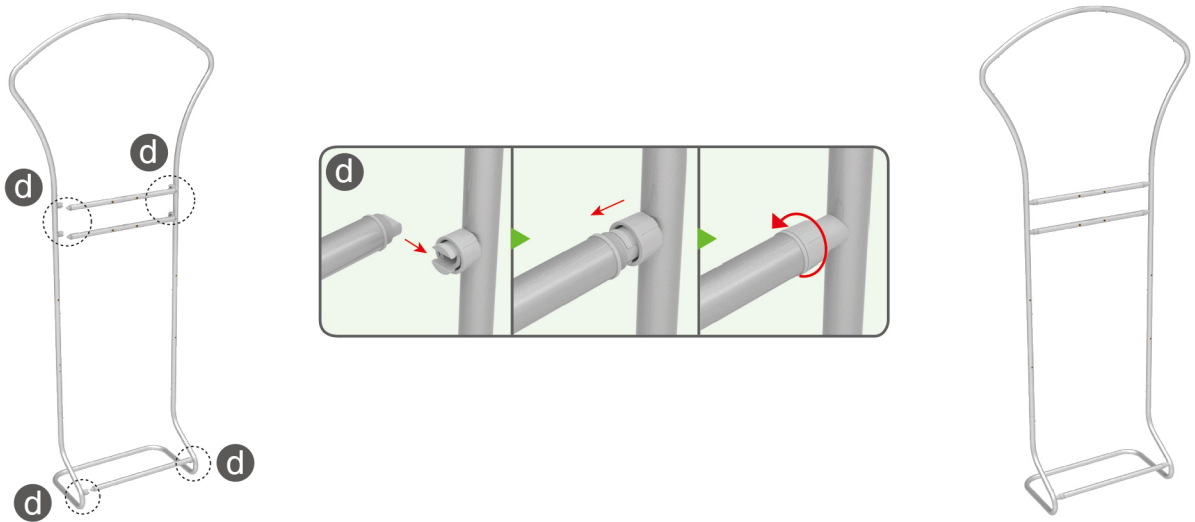


★ One Tool (Hex Wrench) 

## STEPS



**STEP 03** Install cross bars in position.



**STEP 04** Slide fabric banner on frame from bottom and zip up at top.



STEPS

Booth Set Assembly



(1) Base



(2) LED Light & Clip



(3) S-Shaped Clip



(4) Shelf & Bracket

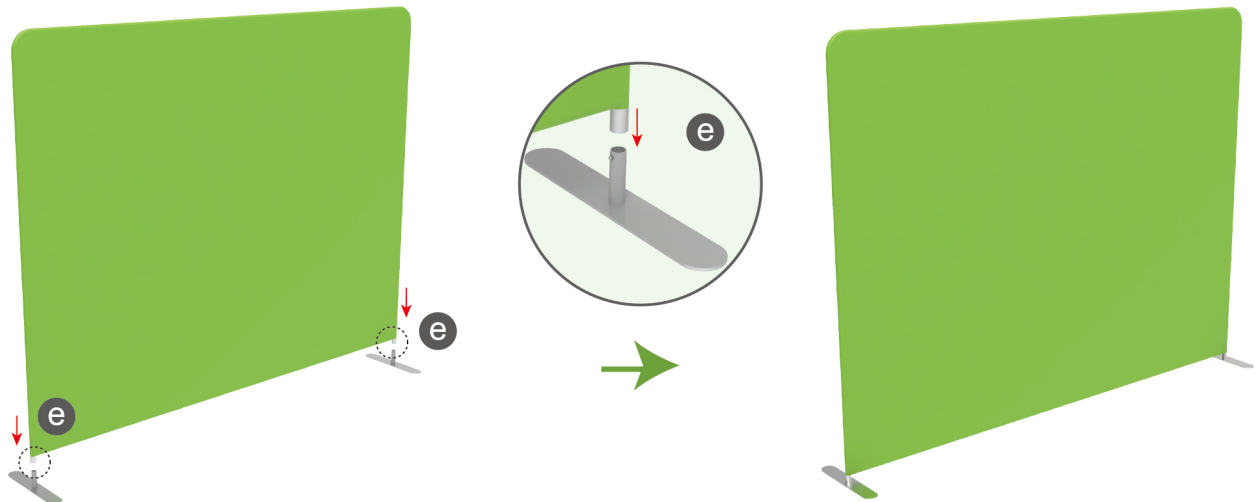


(5) TV Mount



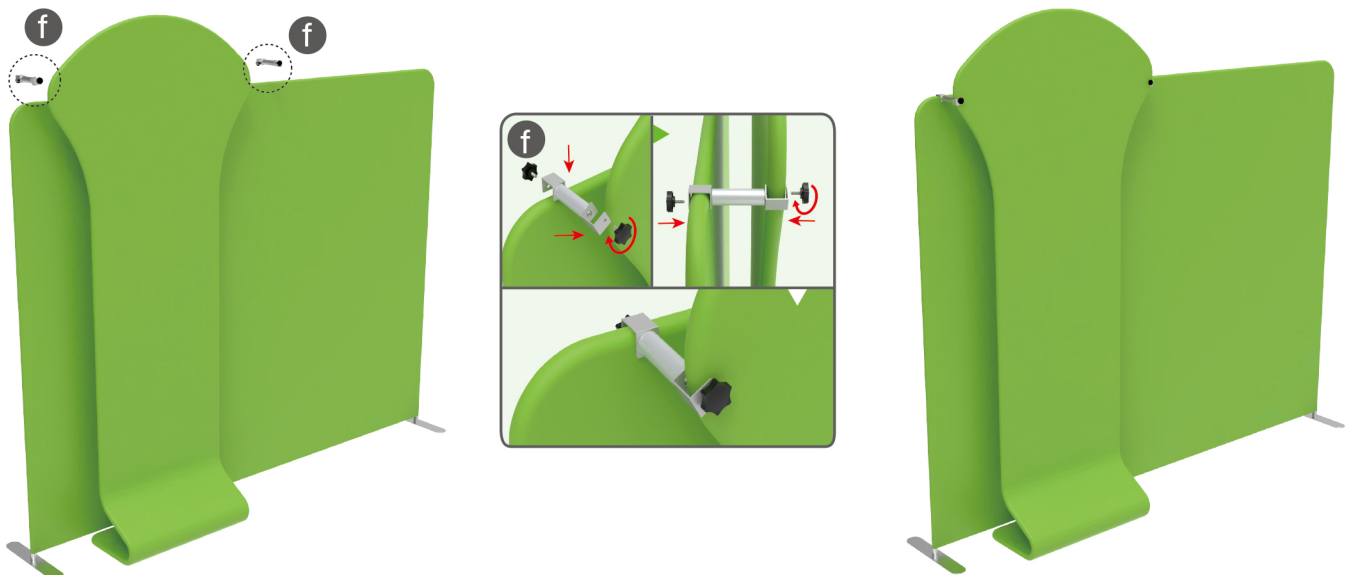
STEP 01

Insert display stands onto feet by pressing their knobs.



STEP 03

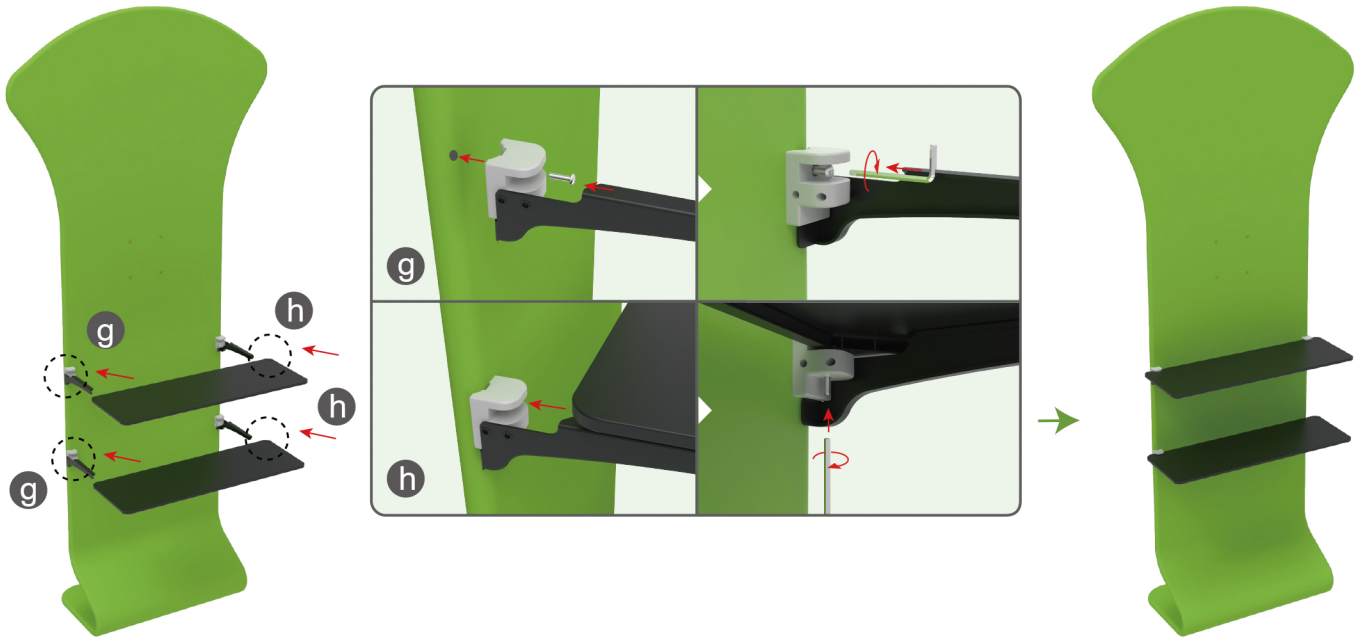
Clamp display stands with S-shaped clips.



## STEPS

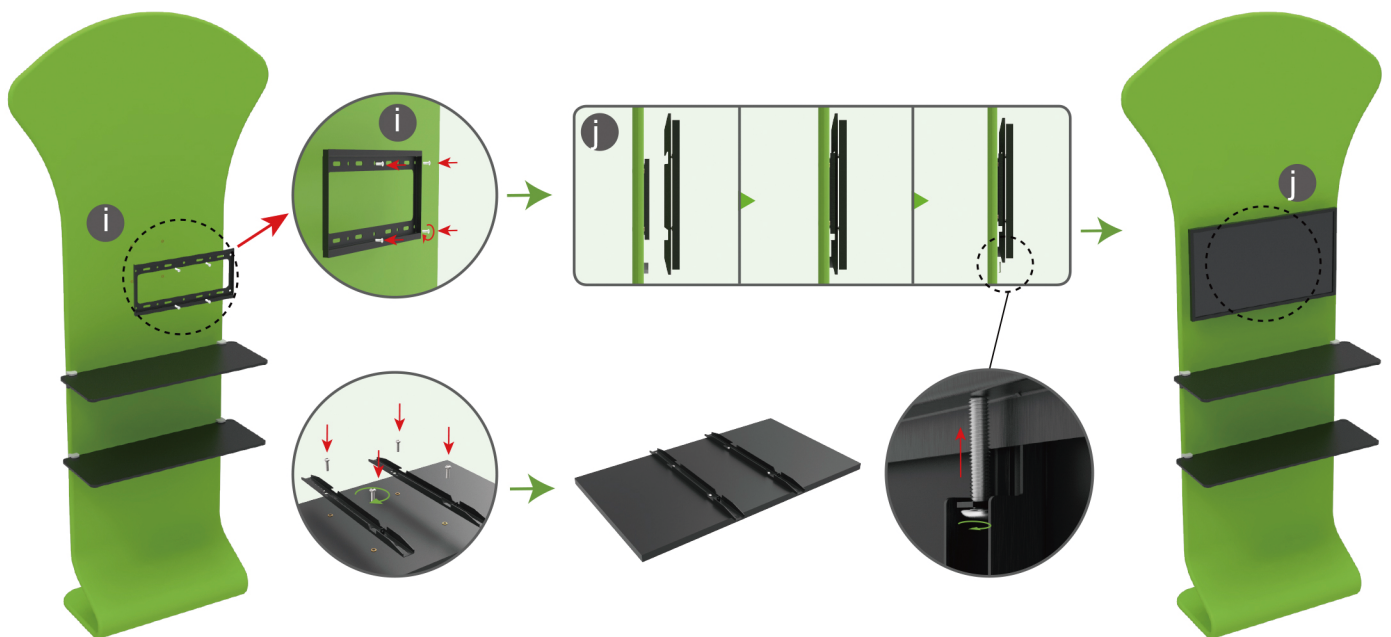
### STEP 04

Screw brackets onto display stand with hex wrench, insert shelves into slots.



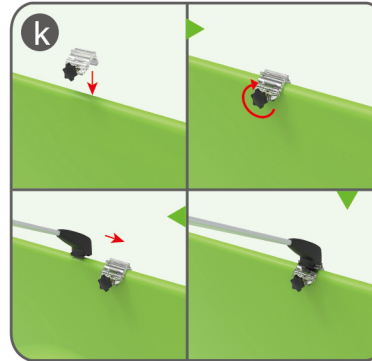
### STEP 05

Screw TV mount onto display stand & support brackets onto TV's back with hex wrench, hang TV onto mount & screw.



## STEPS

**STEP 06** Screw light clips at top of display stands, slide lights onto them and adjust their direction.



10X10FT-BOOTH-I

## STEPS

(1) Durable Plastic Hard Case, Aluminum Support Poles

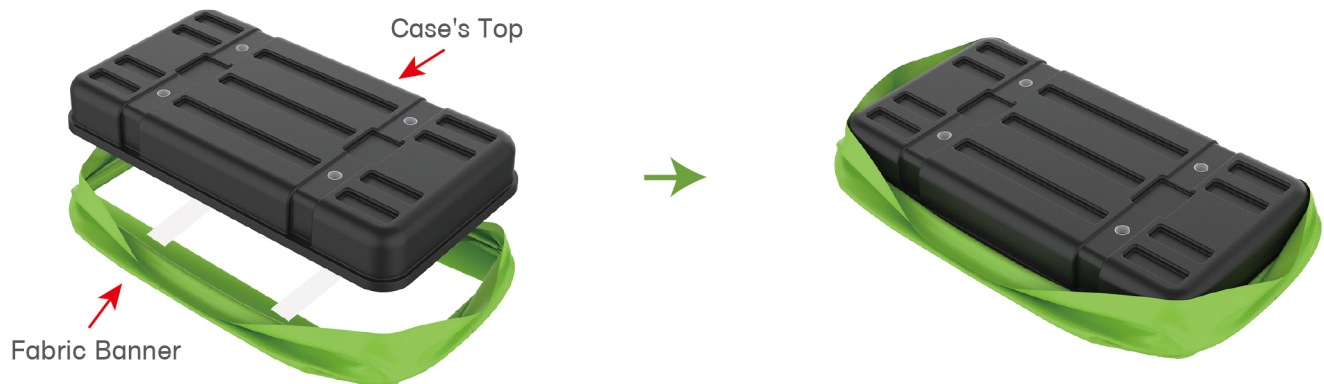


(2) Printed Graphic Fabric Banner



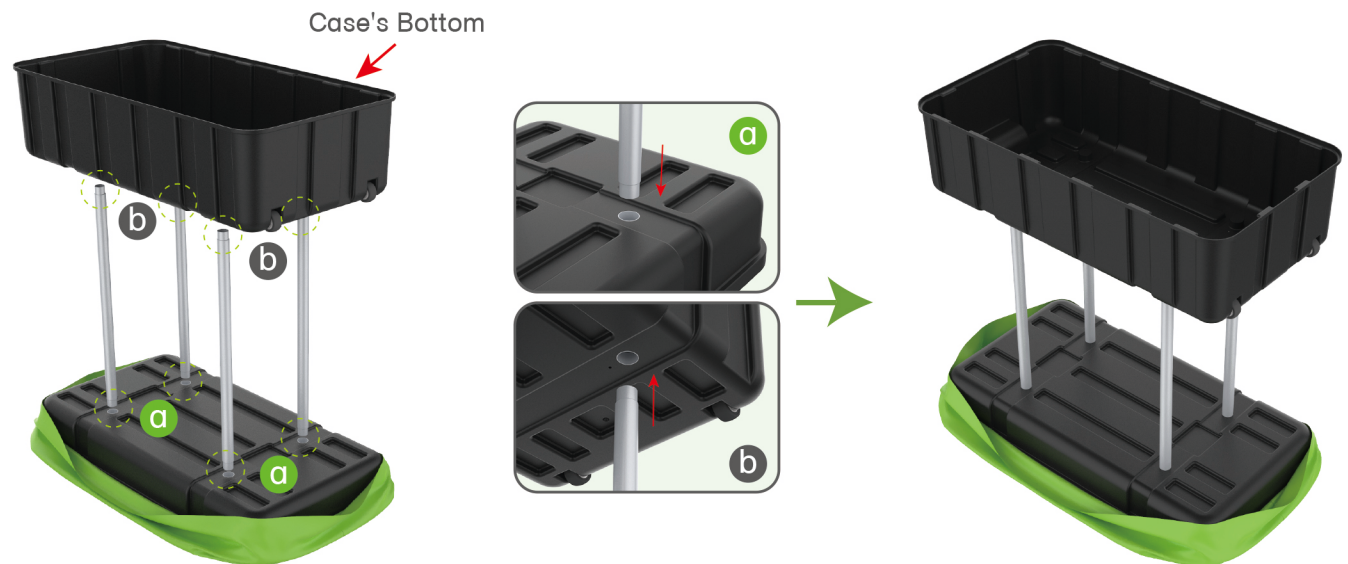
### STEP 01

Put hard case's top into fabric banner.



### STEP 02

Insert support poles into hard case's top & bottom.

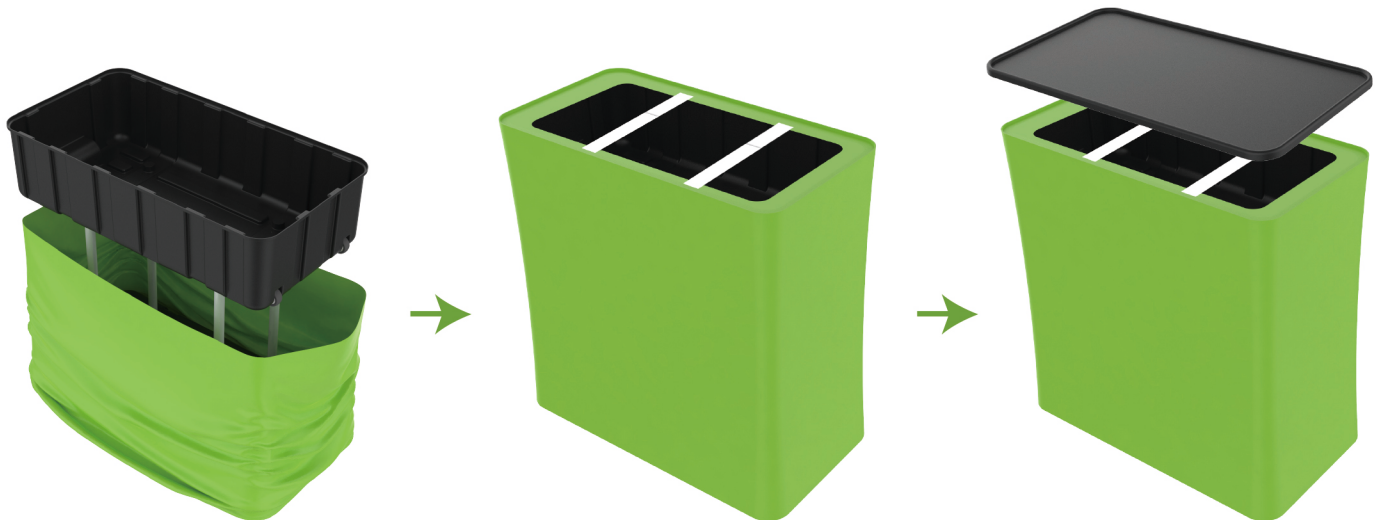




### STEPS

#### STEP 04

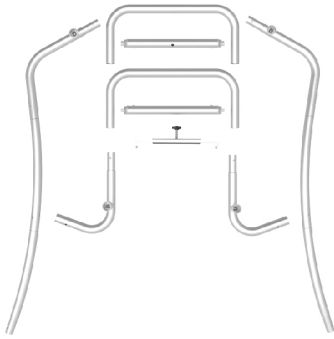
Wrap fabric banner from bottom to top & twist it to be smooth, lay hard case's intermediate panel on podium's top.



★ One Tool (Hex Wrench) 

## STEPS

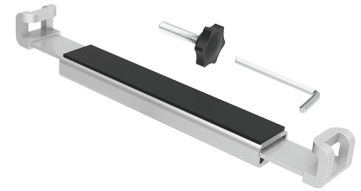
(1) Snap Tubes



(2) Printed fabric banner

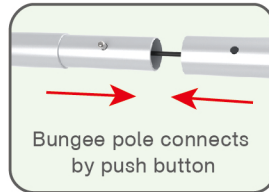


(3) Tablet PC holder



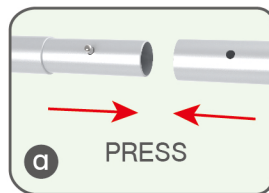
### STEP 01

To Connect the tubes according to the labellings



### STEP 02

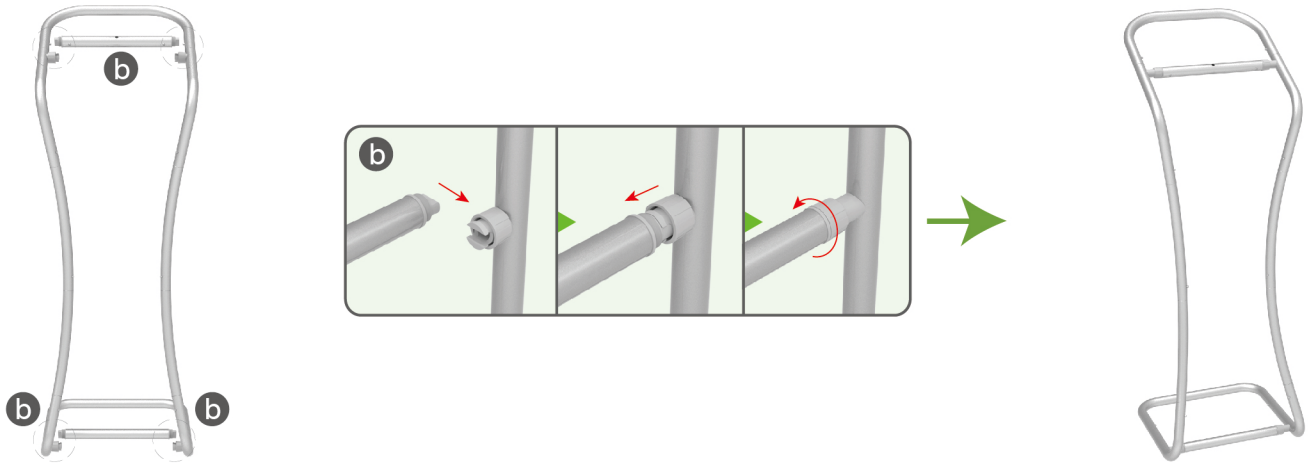
To connect 2 long side tubes by the corner pieces



## STEPS

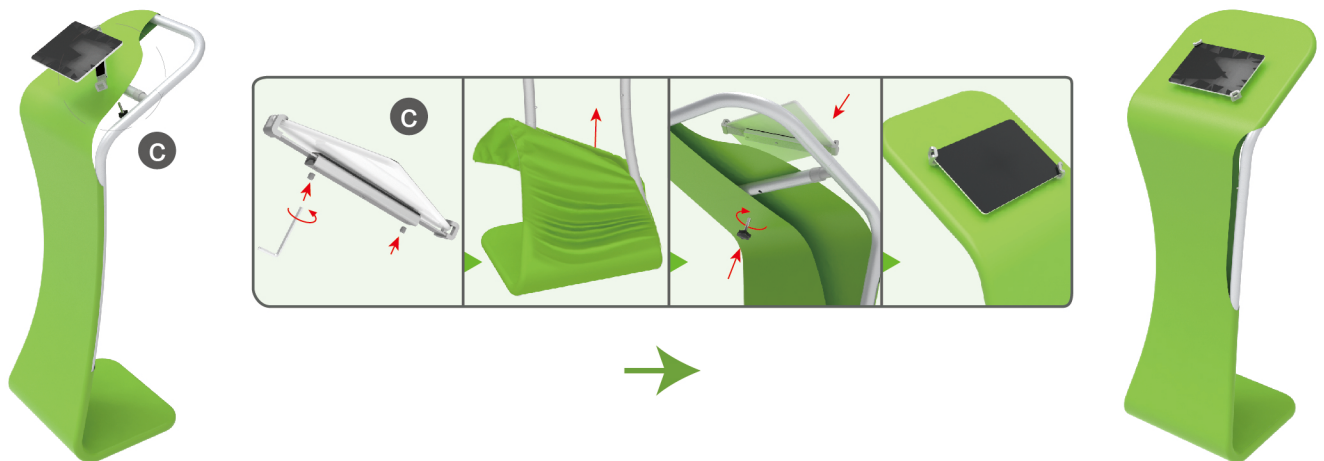
### STEP 03

To install the cross bar according to labellings



### STEP 04

To wrap the fabric cover from top to bottom and zip to the middle of frame, then put the iPad in the holder and adjust the holder to right size and lock it by Allen Key Afterwards, install the set to the display stand.



### STEP 05

Zip up completely

